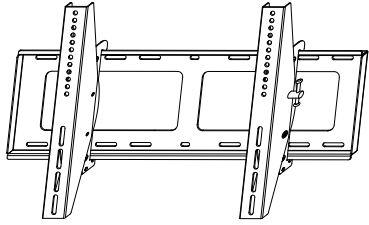


AWM6010-T

Installation Instruction



- 

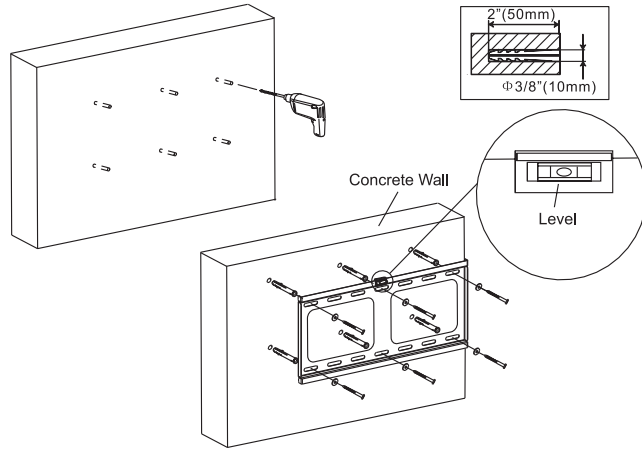
600x400
Max. hole size
- 

Max
80kg
Max. load
- 

75° Max
Suitable TV size

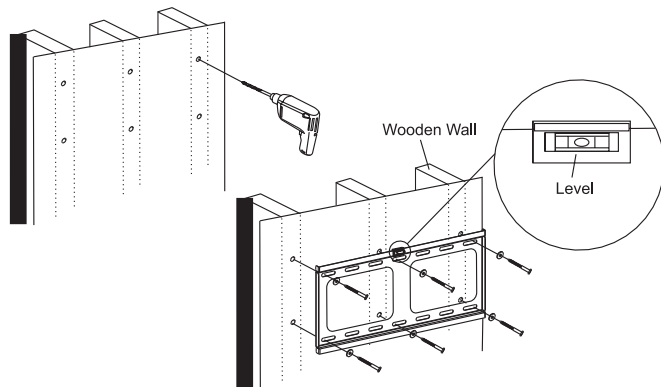
Step 1 - A

Mount on Solid Concrete Wall



Step 1 - B

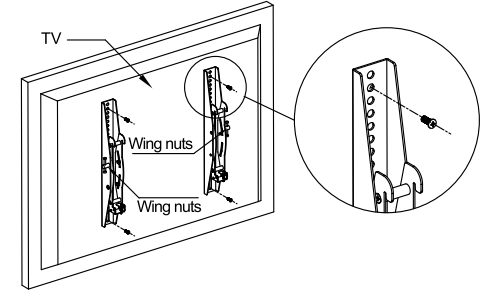
Mount on Wooden Wall



Step 2

Connect mount arms with TV

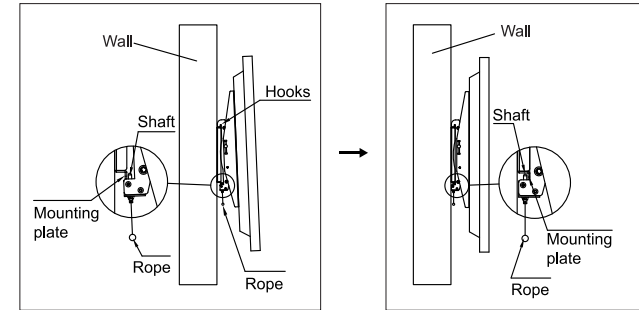
- Note: Wing nuts should be put outside.



Step 3

Pull down rope locking

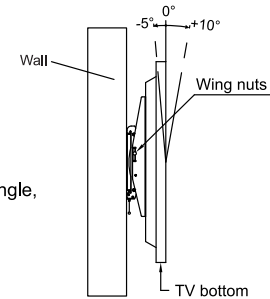
- TV Installation Method:
 1. Hang up hooks.
 2. Pull down rope and push TV into wall lightly, to lock shaft with mounting plate.



Step 4

Adjustable angle -5° ~ +10°

- Angle Adjustment Method:
 1. Hold TV bottom and push up for positive angle, Otherwise pull down for negative angle.
 2. Tighten wing nuts once in proper angle.



WARNING

This product contains small parts, please keep away from children to prevent them swallowing.
 Read the entire instruction before installation and assembly. Should there be any questions regarding any of this instruction, contact professionals.
 Make sure that the supporting surface will safely support the combined load of the equipment and all attached hardware and components.
 Installers (at least 2 persons) should be appropriately uniformed and work with accessory tools to avoid personal injury.
 Carefully check the connecting parts every 2 months to make sure the screws are stable and fixed.
 This product is designed to install on concrete walls and wooden walls.
 The product is intended for indoor use only. Using outdoors could lead to product failure and personal injury.

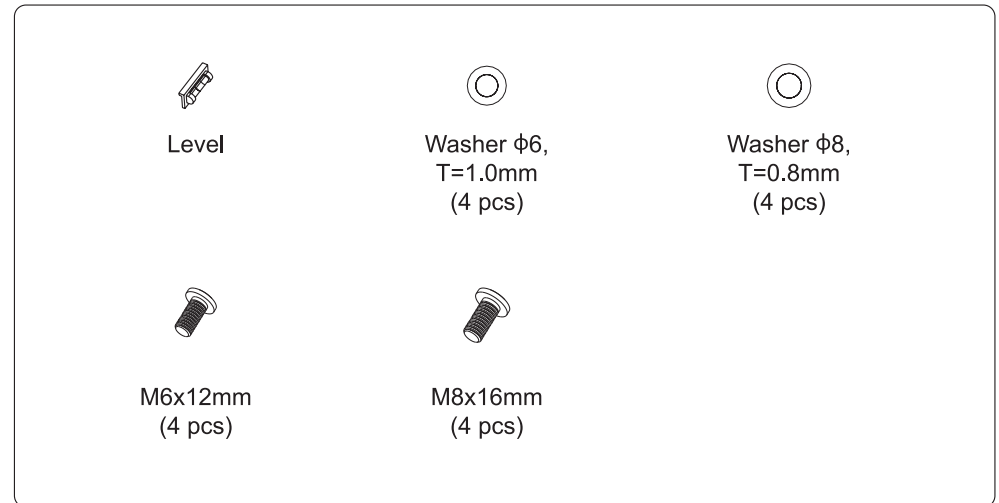
SPECIFICATION

Product Category:	Tilt TV Wall Mount
Rank:	Standard
Material:	Steel
Metal Sheet Thickness:	Bracket Feet THK=1.5mm cold-rolled sheet, Wall Plate THK=2mm cold-rolled sheet
Surface Finish:	Powder Coating
Color:	Fine Texture Black
Dimensions:	700x430x68mm
Fit Screen Size:	37"-75"
Fit Curved TV:	Yes
Tilt Range:	-5°~+10°
Mounting Hole Pattern:	VESA & Universal
VESA Compatible(mm):	200x200,300x200,300x300,400x200,400x300,400x400,600x400
Max. Mounting Hole:	650x400mm
Weight Capacity:	80kg
Strength Tested:	4 Times Approved

SPECIFICATION

Panel Type:	Detachable Panel
Wall Plate Type:	Fixed Wall Plate
Accessory Kit Package:	Compartment Polybag
Instruction Manual Included:	Yes
By Function:	Fixed

Package Contents



- AUSTRALIA : www.soniq.com/au/contact-us
- NEW ZEALAND : www.soniq.com/nz/contact-us