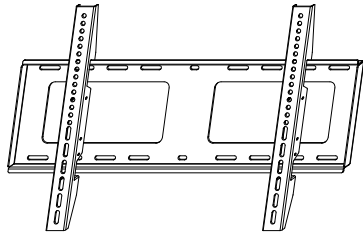


AWM4010-F

Installation Instruction



Max. hole size



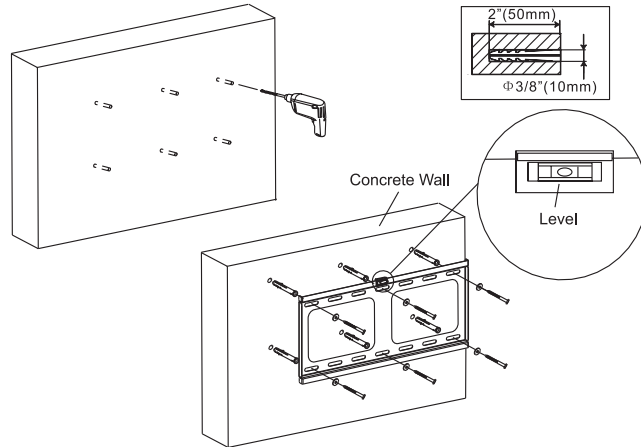
Max. load



Suitable TV size

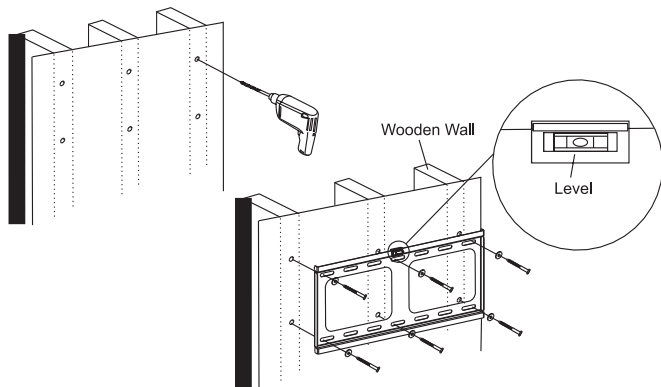
Step 1 - A

Mount on Solid Concrete Wall



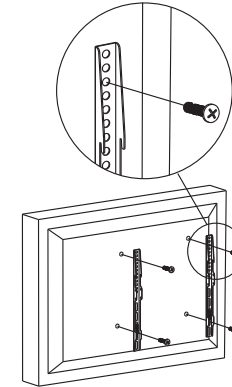
Step 1 - B

Mount on Wooden Wall



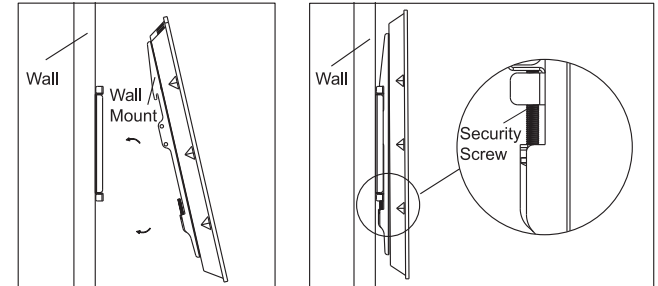
Step 2

Connect mount arms with TV



Step 3

Hang the TV onto the Wall Plate



WARNING

This product contains small parts, please keep away from children to prevent them swallowing.
 Read the entire instruction before installation and assembly. Should there be any questions regarding any of this instruction, contact professionals.
 Make sure that the supporting surface will safely support the combined load of the equipment and all attached hardware and components.
 Installers (at least 2 persons) should be appropriately uniformed and work with accessory tools to avoid personal injury.
 Carefully check the connecting parts every 2 months to make sure the screws are stable and fixed.
 This product is designed to install on concrete walls and wooden walls.
 The product is intended for indoor use only. Using outdoors could lead to product failure and personal injury.

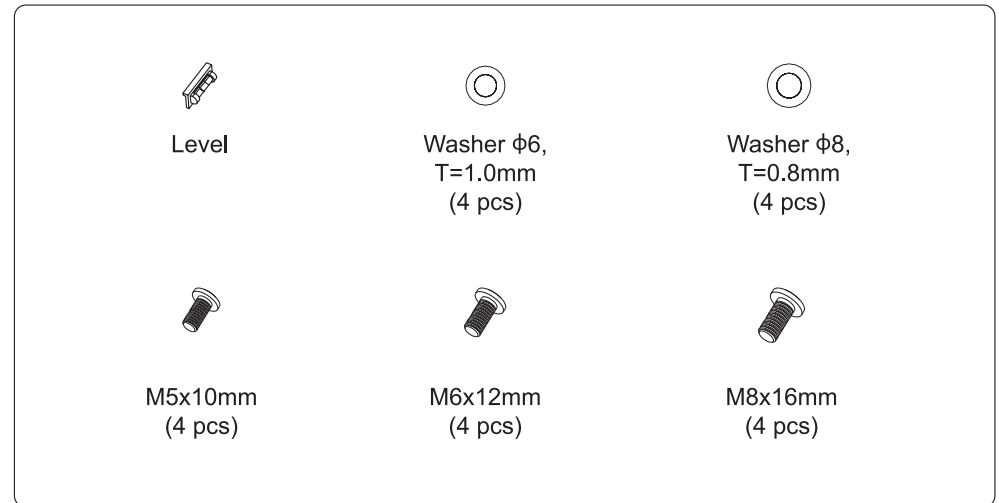
SPECIFICATION

Product Category:	Fixed TV Wall Mount
Rank:	Standard
Material:	Steel
Metal Sheet Thickness:	Bracket Arm THK=1.5mm cold-rolled sheet, Wall Plate THK=2mm cold-rolled sheet
Surface Finish:	Powder Coating
Color:	Fine Texture Black
Dimensions:	500x440x22mm
Fit Screen Size:	32"-55"
Fit Curved TV:	Yes
Mounting Hole Pattern:	VESA & Universal
VESA Compatible(mm):	200x200,300x200,300x300,400x200,400x300,400x400
Max. Mounting Hole:	450x400mm
Weight Capacity:	80kg
Strength Tested:	4 Times Approved
Profile:	22mm

SPECIFICATION

Panel Type:	Detachable Panel
Wall Plate Type:	Fixed Wall Plate
Accessory Kit Package:	Compartment Polybag
Instruction Manual Included:	Yes
By Function:	Fixed

Package Contents



- AUSTRALIA : www.soniq.com/au/contact-us
- NEW ZEALAND : www.soniq.com/nz/contact-us